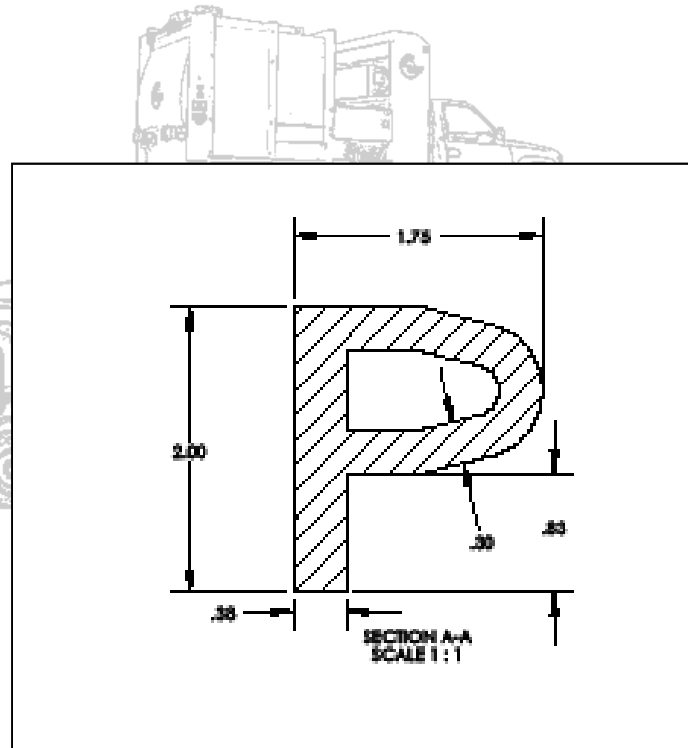


Small P Seal



Large P Seal